

MPM4511 Pressure Transmitter



Features

- Micro-fused technology, High temperature resistance, shock resistance
- Compact structure and cost-efficient
- Wide working temperature range

Application

- Engineering machinery
- Hydraulic and pneumatic system
- Energy and water treatment system
- Refrigeration system
- Industrial process control and automatic detection system
- Pump or compressor
- Central air conditioning control system

Introduction

MPM4511 pressure transmitter has the pressure chamber which is made of single complete stainless steel piece, and all-metal sealing structure. The transmitter uses micro-fusion technology and has specially designed structure. It adopts the overall digital calibration and temperature compensation. This transmitter can meet the OEM customers' large volume demand and is highly cost efficient. It can be widely used in air pressure, hydraulic, and even worse media measuring environment, such as sewage, steam, light corrosive gases and liquids and other industrial or civil field pressure monitoring. Special customized products for users are also available.

Specification

1. Basic performance parameters

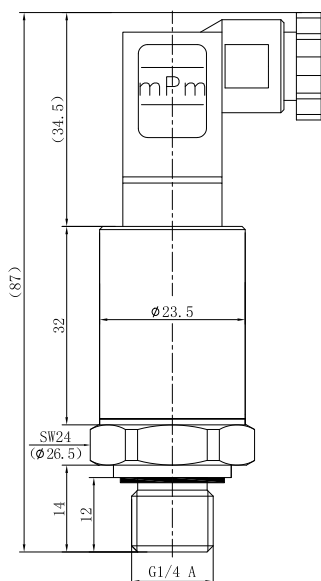
Pressure Range	0bar ~ 16bar...1000bar
Overpressure	$\leq 2 \times FS$ (Max.1500bar)
Burst Pressure	$\leq 5 \times FS$ (Max.2000bar)
Pressure Type	Gauge
Accuracy	$\leq \pm 1\% FS$ within compensation temperature
Compensation Temperature	-10°C ~ 80°C
Application Temperature	-40°C ~ 120°C
Storage Temperature	-40°C ~ 120°C
Vibration	5g, 55Hz ~ 2000Hz
Shock	10g, 11ms
Insulation resistance	100M Ω , 250V
Housing Protection	IP65
Weight	< 160g

2. Output parameters

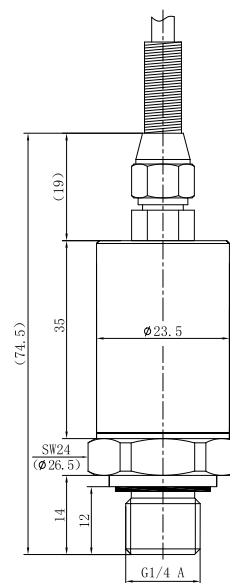
Output Signal	Power Supply	Output Format	Load Resistance	Transmission Distance
4mA ~ 20mA DC(E)	8V ~ 28V DC	2-wire	$\leq (U-8) / 0.02 (\Omega)$	< 1000m (@24V DC, load 250 Ω)
0.5V ~ 4.5V DC(K1)		3-wire	> 10k Ω	< 5m (@24V DC, load > 10k Ω)
0.5V ~ 4.5V DC(K2)	5V \pm 0.1V DC			

Outline Construction

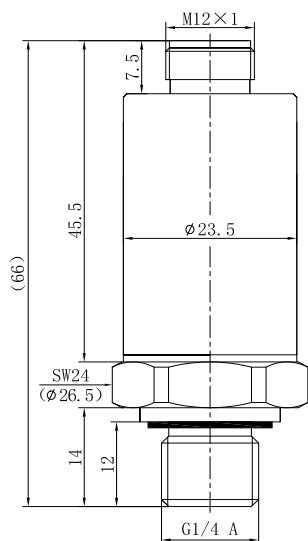
(unit:mm)



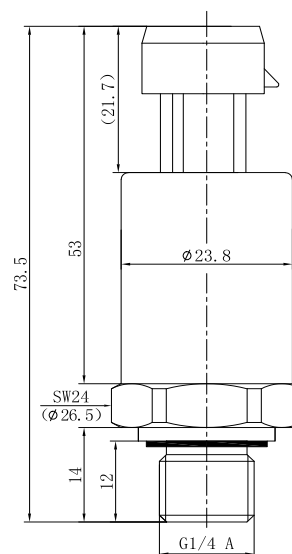
B1 (Mini Hirschmann)



B2 (Cable)

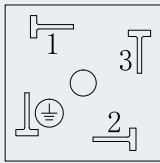

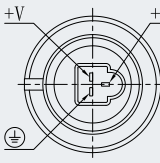



B4 (M12 \times 1 4-pin plug)



B5 (Packard plug)

Electrical Connection

Function Definition	B1 (Mini Hirschmann)		B2 (Cable)		B4 (M12×1 4-pin plug)		B5 (Packard plug)	
			\					
	current 2-wire	voltage 3-wire	current 2-wire	voltage 3-wire	current 2-wire	voltage 3-wire	current 2-wire	voltage 3-wire
+V	1	1	Black	Black	1	1	+V	+V
+OUT	2	3	Red	Red	3	3	+OUT	+OUT
GND	Null	2	Null	White	Null	2	Null	

Structure Material Medium contact part

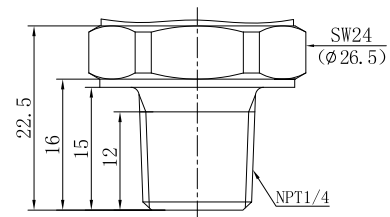
Isolation diaphragm: stainless steel 17-4PH

Pressure port: stainless steel 304

Sealing ring: FKM

Non-medium contact part

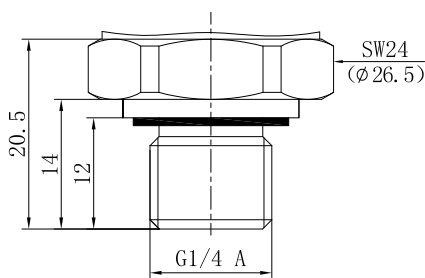
Cable: Polyurethane (5-core, φ5 mm)



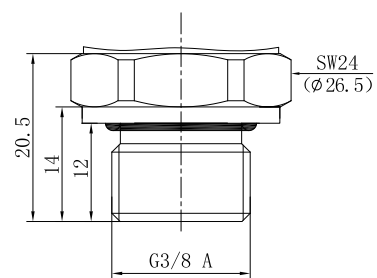
C6 (NPT1/4 male)

Process Connection

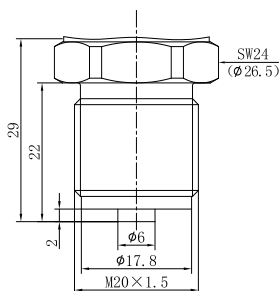
(unit:mm)



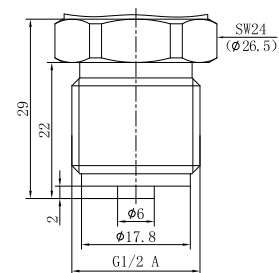
C2 (G1/4 male, face type seal)



C16 (G3/8 male, face type seal)



C5 (M20×1.5 male, waterline seal)



C25 (G1/2 male, waterline seal)

Order Guide

MPM4511	Pressure Transmitter	
	Range	0bar ~ 16bar...1000bar
	[0 ~ X]bar	X: Actual pressure range
	Code	Electrical Connection
	B1	4-pin Plug(Mini Hirschmann)
	B2	Cable (Default 0.5m)
	B4	4-pin Plug(M12×1)
	B5	Packard Plug
	Code	Output Signal
	E	4mA ~ 20mA DC
	K1	0.5V ~ 4.5V DC (8V ~ 28VDC power)
	K2	0.5V ~ 4.5V DC (5V±0.1V DC power)
	Code	Process Connection
	C2	G1/4 male, face type seal
	C5	M20×1.5 male, waterline seal
	C6	NPT1/4 male
	C16	G3/8 male, face type seal
	C25	G1/2 male, waterline seal
MPM4511	[0 ~ 16]bar	B1 E C2 the whole spec.

Notes

1. Please pay attention that the media should be compatible with contacting material;
2. For pressure > 350bar, only G1/2 and M20×1.5 male pressure connection are supplied;
3. For special requirements, please contact us and remark it in the order.